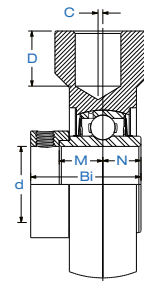
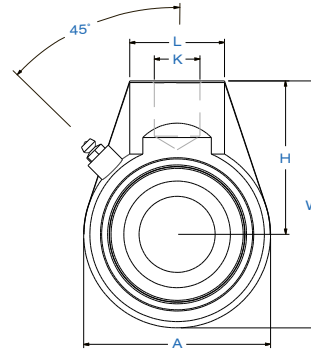


SNCSHAM 200

Normal-Duty Hanger Bearing Unit
Eccentric Lock



Seal
Styles



Standard Seal
with Flinger



Triple-Lip
L3 Seal

Bearing Number	Shaft Dia.	Dimensions (in.)										Load Rating lbs. kN.		Bearing Insert	Housing Number	Wt.	
	d in. mm.	A	W	C	H	L	D	K	Bi	N	M	Dynamic Cr	Static Cor			lbs. kg.	
SNCSHAM 201-8	1/2														SNC 201-8		
SNCSHAM 202-10	5/8	2.52	3.78	0.00	2.52	1.57	0.75	PF 3/4	1.5472	0.5000	0.6732	2,331	1,142	SNC 202-10	SHAM 204	2.0	
SNCSHAM 204-12	3/4	64.0	96.0	0.0	64.0	40.0	19.0		39.3	12.7	17.1	10.37	5.08	SNC 204-12		0.9	
SNCSHAM 204	20													SNC 204			
SNCSHAM 205-14	7/8													SNC 205-14			
SNCSHAM 205-15	15/16	3.07	4.06	0.00	2.52	1.57	0.75	PF 3/4	1.6220	0.5630	0.6850	2,542	1,349	SNC 205-15	SHAM 205	2.2	
SNCSHAM 205	25	78.0	103.0	0.0	64.0	40.0	19.0		41.2	14.3	17.4	11.31	6.00	SNC 205		1.0	
SNCSHAM 205-16	1													SNC 205-16			
SNCSHAM 206-17	1 1/16													SNC 206-17			
SNCSHAM 206-18	1 1/8	3.07	4.06	0.00	2.52	1.57	0.75	PF 3/4	1.8110	0.6260	0.7165	3,554	1,942	SNC 206-18	SHAM 206	2.3	
SNCSHAM 206	30	78.0	103.0	0.0	64.0	40.0	19.0		46.0	15.9	18.2	15.81	8.64	SNC 206		1.1	
SNCSHAM 206-19	1 3/16													SNC 206-19			
SNCSHAM 206-20	1 1/4													SNC 206-20			
SNCSHAM 207-20	1 1/4													SNC 207-20			
SNCSHAM 207-21	1 5/16													SNC 207-21			
SNCSHAM 207-22	1 3/8	3.62	4.57	0.00	2.76	1.57	0.75	PF 3/4	1.9606	0.6890	0.7402	4,683	2,626	SNC 207-22	SHAM 207	2.9	
SNCSHAM 207	35	92.0	116.0	0.0	70.0	40.0	19.0		49.8	17.5	18.8	20.83	11.68	SNC 207		1.3	
SNCSHAM 207-23	1 7/16													SNC 207-23			
SNCSHAM 208-24	1 1/2													SNC 208-24			
SNCSHAM 208-25	1 9/16	3.78	4.76	0.08	2.87	1.57	0.75	PF 3/4	2.1220	0.7480	0.8425	5,294	3,057	SNC 208-25	SHAM 208	3.6	
SNCSHAM 208	40	96.0	121.0	2.0	73.0	40.0	19.0		53.9	19.0	21.4	23.55	13.60	SNC 208		1.6	
SNCHA 209-26	1 5/8													SNC 209-26			
SNCHA 209-27	1 11/16	4.25	5.35	0.20	3.23	1.89	0.83	PF1	2.1220	0.7480	0.8425	5,923	3,507	SNC 209-27	SHAM 209	4.2	
SNCHA 209-28	1 3/4	108.0	136	5.0	82.0	48.0	21.0		53.9	19.0	21.4	26.35	15.60	SNC 209-28		1.9	
SNCHA 209	45													SNC 209			
SNCSHAM 210-30	1 7/8													SNC 210-30			
SNCSHAM 210-31	1 15/16	4.65	5.59	0.20	3.27	1.89	0.83	PF1	2.2480	0.7480	0.9685	6,402	4,046	SNC 210-31	SHAM 210	4.8	
SNCSHAM 210	50	118.0	142.0	5.0	83.0	48.0	21.0		57.1	19.0	24.6	28.48	18.00	SNC 210		2.2	
SNCSHAM 210-32	2													SNC 210-32			
SNCSHAM 211-32	2													SNC 211-32			
SNCSHAM 211-34	2 1/8	4.96	6.22	0.28	3.74	2.36	0.98	PF1 1/4	2.5906	0.8740	1.0906	7,931	5,036	SNC 211-34	SHAM 211	7.6	
SNCSHAM 211	55	126.0	158.0	7.0	95.0	60.0	25.0		65.8	22.2	27.7	35.28	22.40	SNC 211		3.4	
SNCSHAM 211-35	2 3/16													SNC 211-35			
SNCSHAM 212-36	2 1/4													SNC 212-36			
SNCSHAM 212	60	5.59	6.81	0.35	4.02	2.36	1.10	PF1 1/4	2.8425	1.0000	1.2165	9,554	5,921	SNC 212	SHAM 212	8.6	
SNCSHAM 212-38	2 3/8	142.0	173.0	9.0	102.0	60.0	28.0		72.2	25.4	30.9	42.50	26.34	SNC 212-38		3.9	
SNCSHAM 212-39	2 7/16													SNC 212-39			

MARINER®